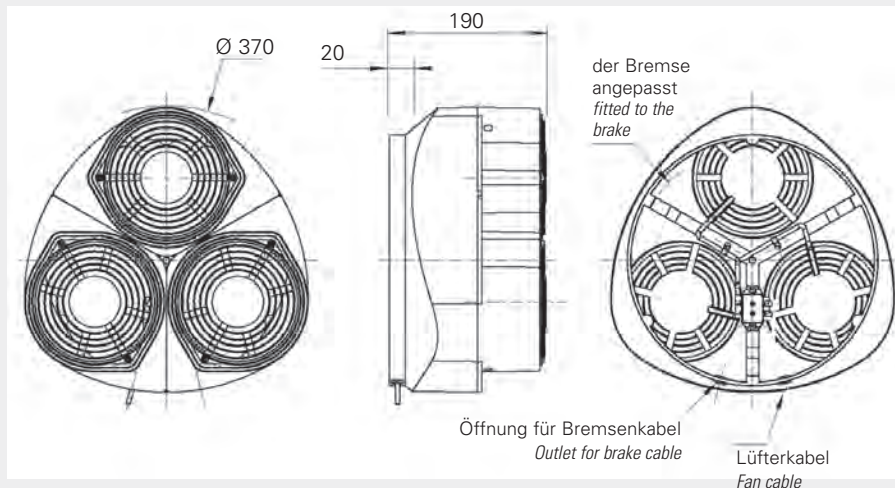
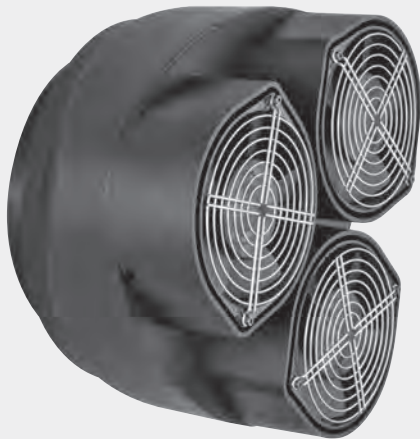
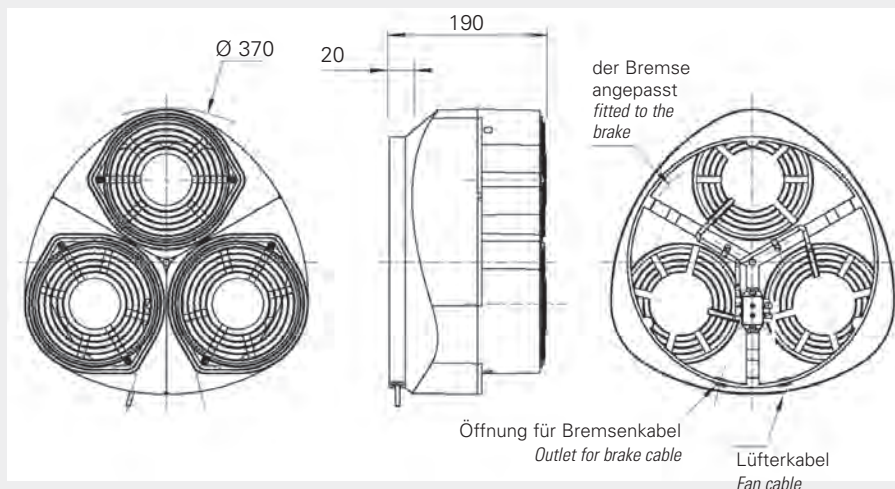
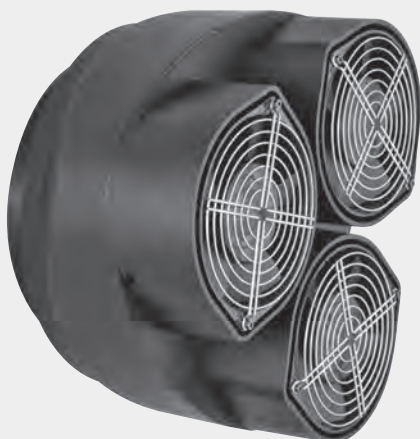


Axiallüfter *Axial Fan Cooling Units*

VA 1200 für/for FAT 1200



VA 2002 für/for FAT 2002



Technische Daten / Specifications

| | | | VA 1200 | VA 2002 |
|--------------------------------------|--|------|---------|---------|
| Spannung | <i>Voltage</i> | (V) | 24/230 | 24/230 |
| Leistung | <i>Power consumption</i> | (W) | 36 | 36 |
| Gewicht | <i>Weight</i> | (kg) | 11 | 11 |
| Wärmeverlustleistung 100% Betrieb | <i>Max heat dissipation for continuous sustained</i> | (W) | 1400 | 1800 |