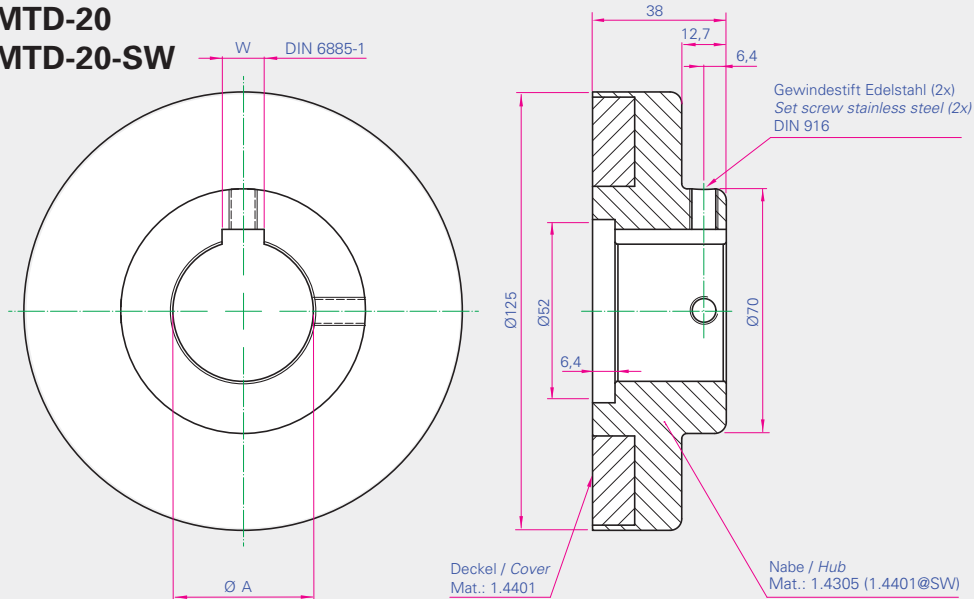


MTD-20

MTD-20-SW



Technische Daten

Technical Specifications

Typ Type	Max. Geschw Speed (rpm)	Gewicht pro Hälfte Weight per Hub (kg)
MTD-20	9200	2,2

Typ Type	Bohrung Bore $\varnothing A$ (mm)	Passfeder Keyway W (mm)	Gewindestift Set Screw
MTD-20-14	14H7	5	M5
MTD-20-16	16H7	5	M5
MTD-20-18	18H7	6	M5
MTD-20-20	20H7	6	M5
MTD-20-22	22H7	6	M5
MTD-20-25	25H7	8	M8
MTD-20-30	30H7	8	M8
MTD-20-35	35H7	10	M8
MTD-20-40	40H7	12	M8