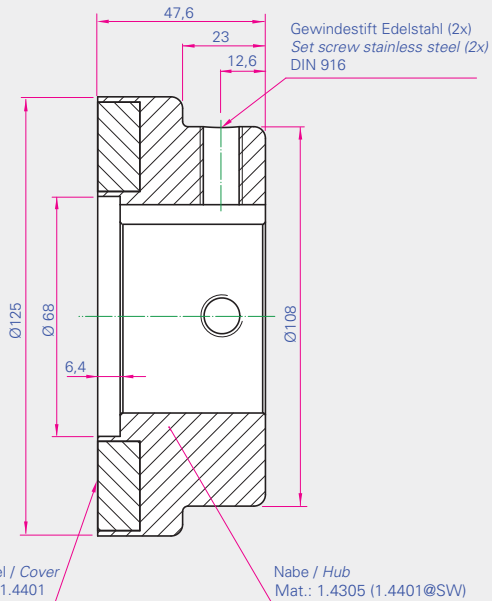
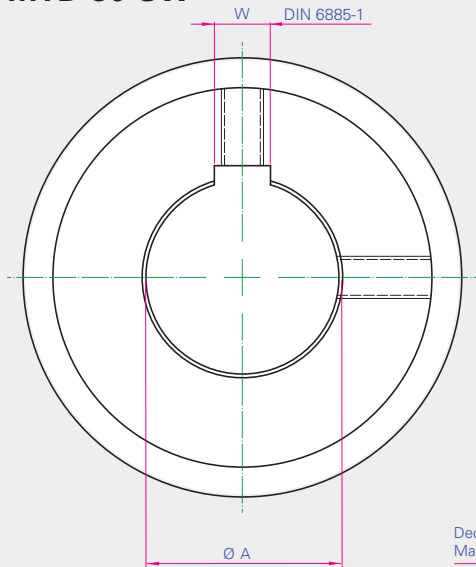


# MTD-30

## MTD-30-SW



## Technische Daten

### Technical Specifications

Typ Type	Max. Geschw Speed (rpm)	Gewicht pro Hälfte Weight per Hub (kg)
<b>MTD-30</b>	9200	3,1

Typ Type	Bohrung Bore Ø A (mm)	Passfeder Keyway W (mm)	Gewindestift Set Screw
<b>MTD-30-15</b>	15H7	5	M 5
<b>MTD-30-20</b>	20H7	6	M 5
<b>MTD-30-25</b>	25H7	8	M 8
<b>MTD-30-30</b>	30H7	8	M 8
<b>MTD-30-35</b>	35H7	10	M 8
<b>MTD-30-40</b>	40H7	12	M 8
<b>MTD-30-45</b>	45H7	14	M12
<b>MTD-30-50</b>	50H7	14	M12
<b>MTD-30-55</b>	55H7	16	M12